

**DOCKING DRAWER INSTALL MANUAL, 0230-00004 Rev 2**  
**7/1/15**

**Applicable Models: 0290-00030, 0290-00031**



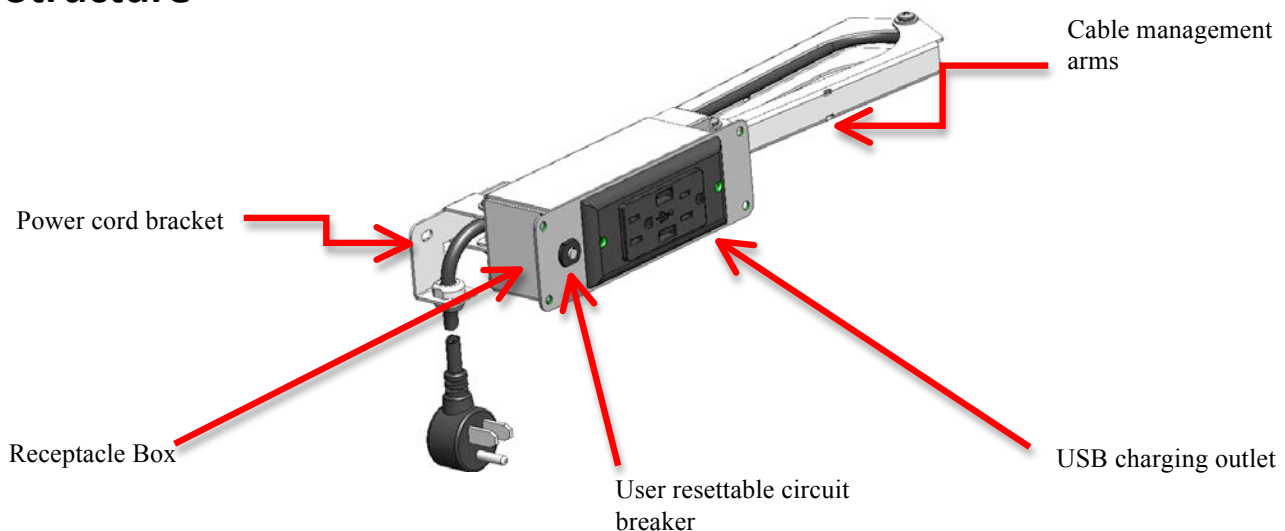
**CAUTION – READ CAREFULLY**

- **Failure to follow these instructions can cause death or permanent injury. Do not work on live electrical circuits! Make absolutely certain power is off before connecting the device!**
- There are instructions provided with the USB charging outlet – read those instructions in addition to these.
- This product is for dry, indoor and permanent installations only.
- Install the device in accordance with all national and local electrical codes.

## General Information

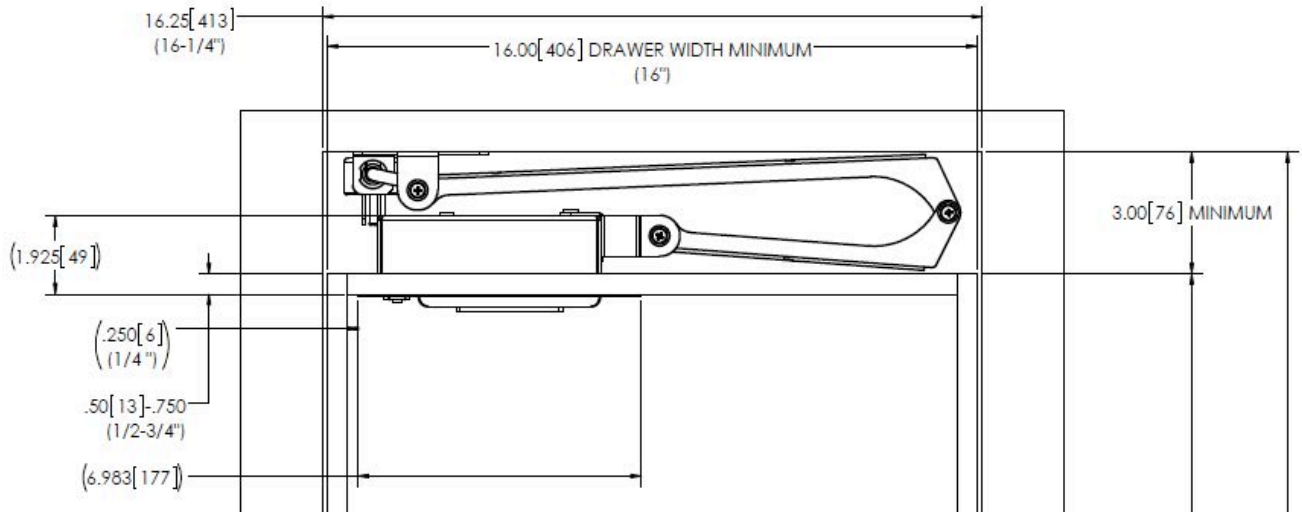
- The Docking Drawer has been listed by ETL and complies with UL 962a and CSA C22.2 **when installed in accordance with these instructions. Do not install this product in a manner contrary to these instructions.**
- The Docking Drawer is designed for charging personal electronics and other low power devices. It is limited to a maximum of 3A @ 120 VAC.

## Structure

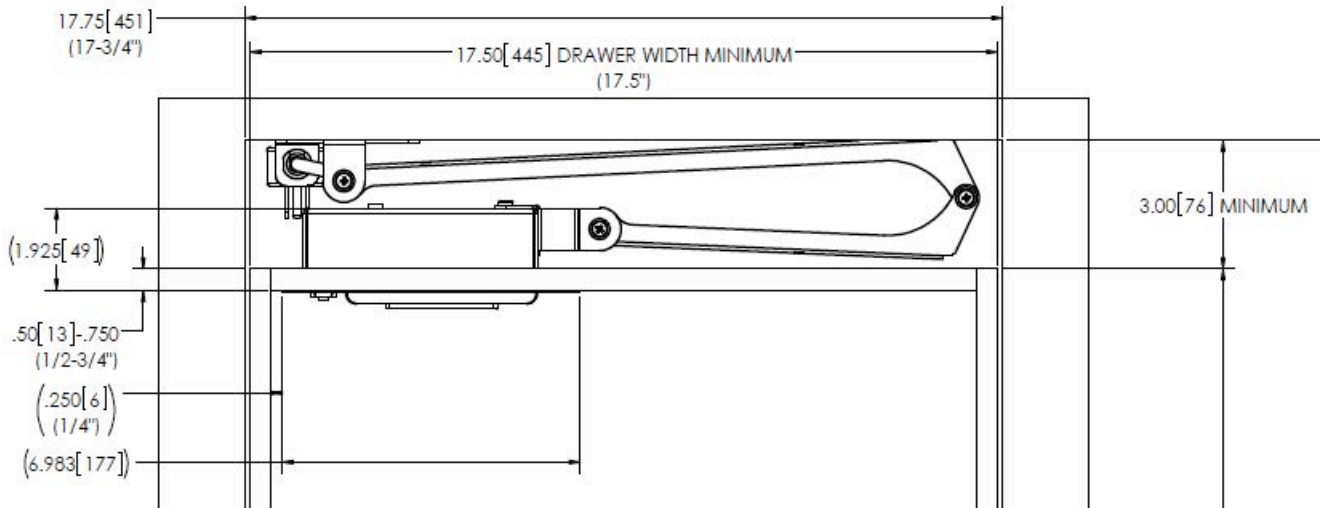


# Mounting

**Top View of Docking Drawer 21 (0290-00030), Mounted**

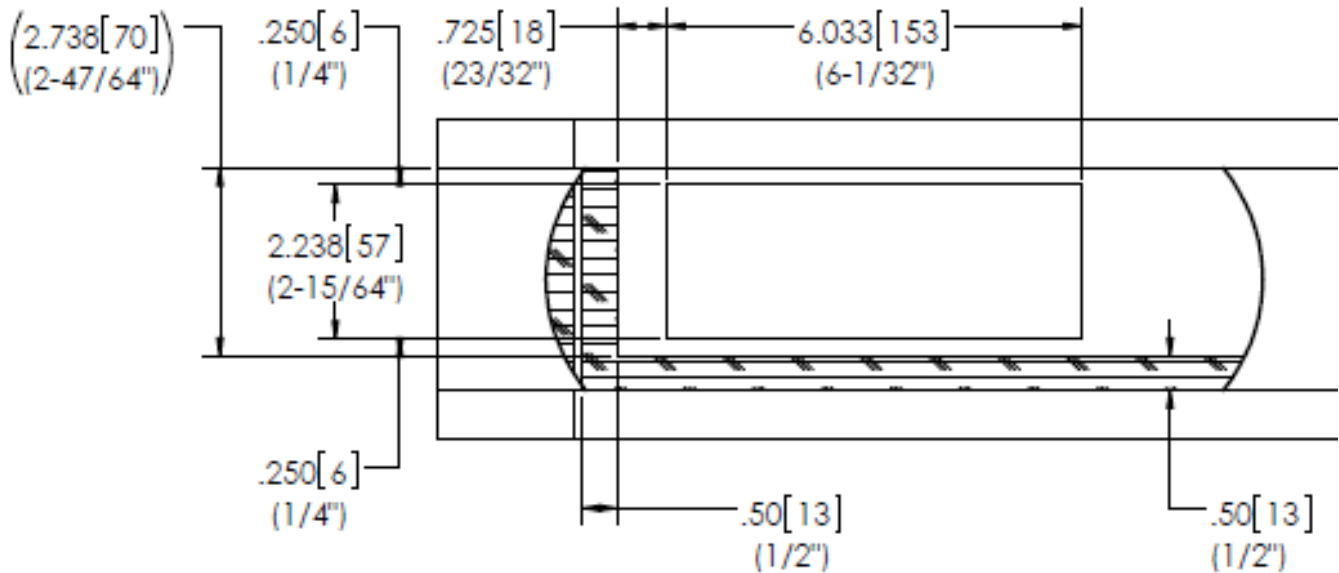


**Top View of Docking Drawer 24 (0290-00031), Mounted**



- The distance from the back of the drawer to the wall where the junction box mounts must be at least 3" as shown.
- **Ensure that the cable management arms are free and unobstructed.**

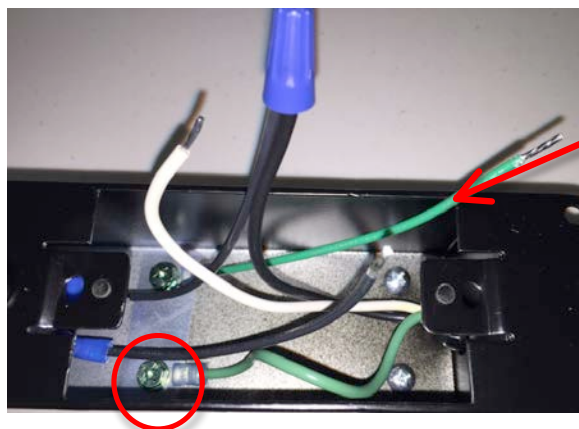
### Side View of Docking Drawer, Mounted



- The inside depth of the drawer must be at least 2.75"
- The cutout for the receptacle box should be  $6\ 1/32$ " wide x  $2\ 15/64$ " high. Enlarging the cutout by  $1/16$ " in each dimension is acceptable for ease of mounting. The installer must provide (4) mounting screws for the receptacle box and (2) for the power cable bracket.
- The receptacle box accepts drawer wall thicknesses of either  $1/2$ " or  $5/8$ ".
- The drawer glides must be positioned in such a way that the drawer extends no more than 18" for 0290-00030 and 21" for 0290-00031.

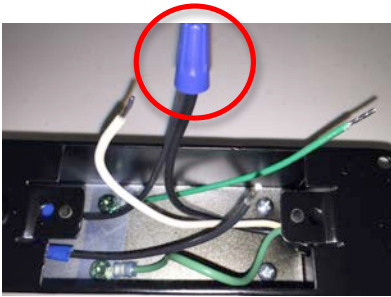
### Mounting the Receptacle Box

- Depending on the structure of the cabinet, it may be necessary to mount the junction box and cable arms behind the drawer first, and then install the receptacle box and USB charging outlet from inside the drawer. The design allows for this. **If required, follow these steps:**
  1. Remove the cable arm ground connection inside the receptacle box by removing the green ground screw and ring terminal as shown. DO NOT remove the ground wire that goes to the receptacle.

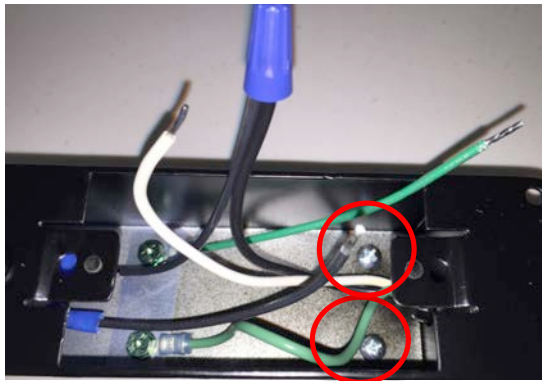



DO NOT REMOVE

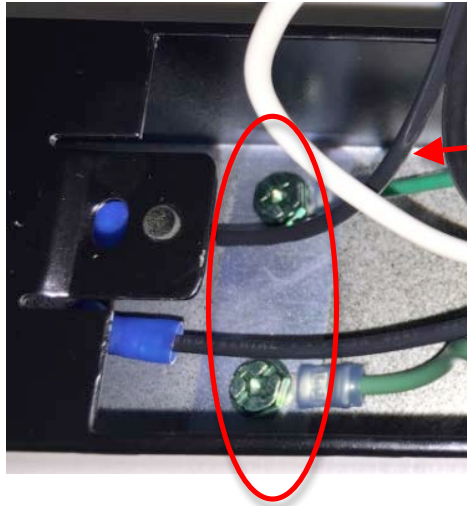
2. Remove the blue wire nut connecting the black wire from the cable chain to the black wire going to the circuit breaker.



3. Use a Phillips head screwdriver to remove the (2) #10 screws from inside the receptacle box. This will allow the cable arm bracket to be disconnected from the receptacle box.



4. Mount the power cord bracket in the correct location on the back wall behind the drawer as shown in the drawing.
5. Install the drawer in the cabinet, and hold on to the end of the arm assembly.
6. Pass the wires from the cable management arms into the receptacle box and reattach the bracket using the screwdriver and (2) #10 screws.
7. Secure the receptacle box to the back of the drawer using the installer supplied hardware.
8. Reconnect the black wire from the circuit breaker to the black wire from the cable management arm using the blue wire nut.
9.  **DO NOT FORGET TO REATTACH THE GROUND WIRE INSIDE THE RECEPTACLE BOX. TORQUE SCREW TO 28-32 IN-LBS. ENSURE THAT THE CIRCUIT BREAKER IS WIRED IN SERIES WITH THE LINE (BLACK) WIRE. SEE WIRE DIAGRAM.**



**MAKE SURE BOTH  
GROUND SCREWS  
ARE SECURELY  
CONNECTED! TORQUE  
TO 28-32 IN-LBS**

## Wiring



Install the USB charging outlet in the receptacle box *before* connecting the plugging in.

- After the receptacle box has been correctly installed in the back of the drawer and (if applicable) all wires correctly reattached, the USB charging outlet can be installed.



**REMINDER: IF THE CABLE ARM GROUND WIRE WAS REMOVED DURING INSTALLATION, MAKE SURE IT HAS BEEN REATTACHED AND TORQUED PROPERLY. MAKE SURE THE CIRCUIT BREAKER IS WIRED IN SERIES WITH THE LINE (BLACK) WIRE AS SHOWN IN THE WIRING DIAGRAM.**

- Follow the USB charging outlet instructions (included in outlet packaging) and connect the black, white, and green wires in accordance with those instructions.



**Green Wire (ground): green screw  
White wire (neutral): silver screw  
Black Wire (line): brass screw**

## Specifications

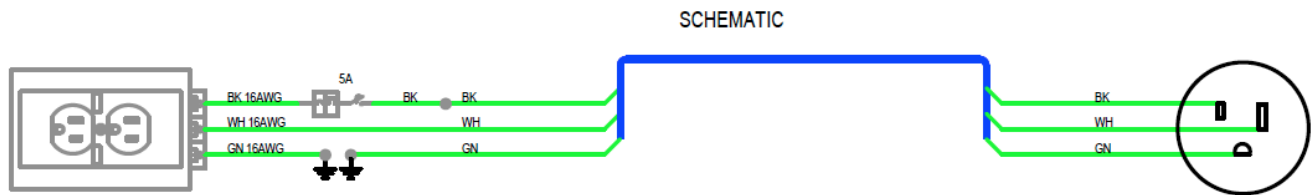
# DockingDrawer™ Technical Specifications

AC Power: 125V, tamper resistant NEMA 5-15R duplex receptacle.

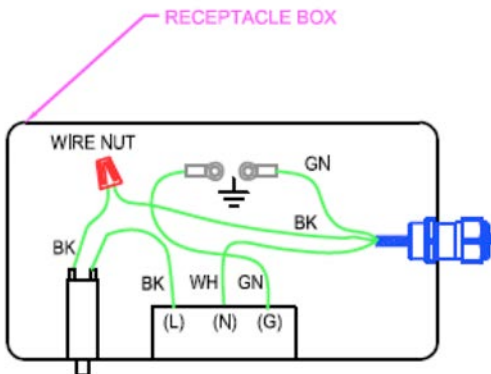
DC (USB) Power: 5.2V, 12.5W duplex USB charging receptacle with integrated on/off safety switch.

Max rated current @ 125 VAC: 3A. Circuit is protected by 5A pop out breaker accessible from the user side. Designed for charging personal electronic devices only.

## Wiring Diagrams



### Receptacle box wiring



## Operation

- Instructions specific to the USB charging outlet are included with the outlet itself.
- The Docking Drawer includes a 5A resettable circuit breaker. Breaker trip is indicated by the white button protruding approximately 3/8" out from the housing. To reset, correct the source of over current and push the white button back in.