

Welcome to

# Docking Drawer

ETL Listed in-drawer electrical outlets



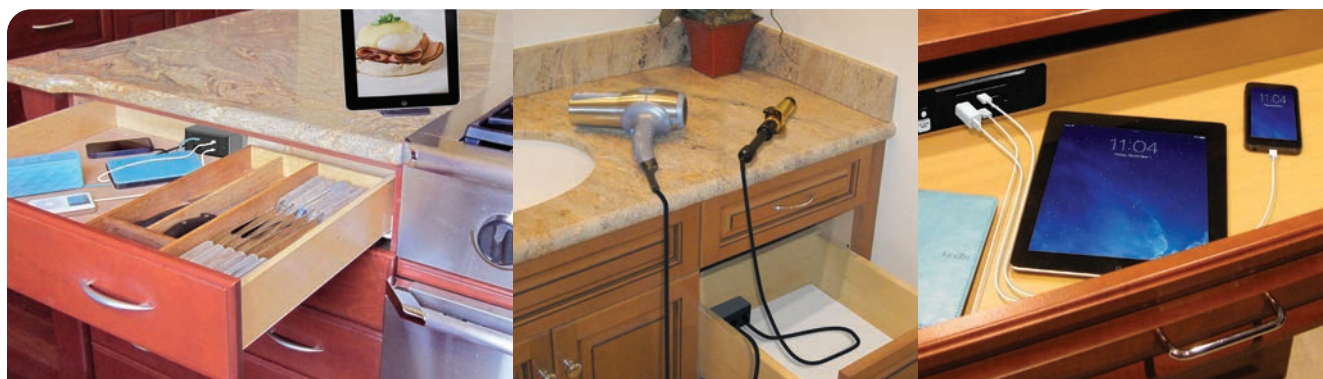
**NEW**

Docking Drawer  
**21 + 24 SLIM**  
FITS INTO TIGHT SPACES  
2 MINUTE INSTALL  
NO HARDWIRING


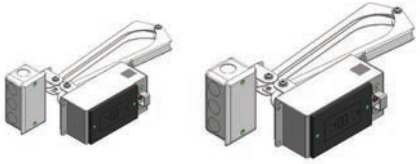
It's time to clear clutter one drawer at a time with Docking Drawer in-drawer electrical outlets. Whether it's in your home, closet, office, or locker room reduce clutter by getting all your cords, chargers, personal technology and hair dryers out of the way with simple to specify Docking Drawer in-drawer electrical outlet solutions. Docking Drawers are purpose built, easy to install and ETL Listed to UL962a and CSA-C22.2 offering safe, trouble free operation while meeting building codes.

**New and Improved!** All outlets now come with an adjustable rear mounting bracket for easier installation!

**Simple to specify. Reduces clutter. Safe.**



# Solutions for Every Application

CHARGE		POWER
		
<b>Docking Drawer 21 + 24 SLIM</b>		<b>Docking Drawer Slim USB</b>
<ul style="list-style-type: none"> <li>• Phones</li> <li>• Tablets</li> <li>• Laptops</li> <li>• USB Flashlights</li> <li>• USB Speakers</li> <li>• Combination Outlet</li> </ul>		<ul style="list-style-type: none"> <li>• Phones</li> <li>• Tablets</li> <li>• USB Flashlights</li> <li>• USB Speakers</li> <li>• USB Ports</li> <li>• No AC outlets</li> </ul>
		<b>Style &amp; Mighty Drawer</b>
		<ul style="list-style-type: none"> <li>• Hair Dryers</li> <li>• Curling Irons</li> <li>• Flat Irons</li> <li>• Mixers</li> <li>• Items requiring full power</li> <li>• 2 GFCI AC Outlets</li> </ul>

## Reduce Clutter.

Take control and clear clutter. Docking Drawer in-drawer electrical outlet solutions are perfect for today's connected homes, bathrooms, kitchens, drop zones, bars, locker rooms, offices and more. Use Docking Drawers where ever you seek to clear clutter and charge or power your devices.

## Safe.

To increase safety and minimize risk, Docking Drawer in-drawer electrical outlets include integrated interlocking safety features. Docking Drawer **21 + 24 SLIM** outlets feature a UL Listed circuit breaker that prevents high power devices from being used to ensure safe operation. Style Drawer and Mighty Drawer feature a UL Listed thermostat which cuts power to the outlet in the event that the surrounding temperature exceeds 120°F to minimize risk with devices that are left on when the drawer is closed.

## Reliable.

Utilizing JTech Solutions engineering expertise, we built Docking Drawer in-drawer electrical outlets with high quality materials. Then we cycle test the assembly over 500,000 times representing opening and closing the drawer every 15 minutes for over 30 years to ensure a lifetime of trouble free operation.

## Outlets Features

- First and only ETL Listed in-drawer electrical outlet
- Interlocking safety features that cut power to the outlet to minimize risk
- Adjustable rear mounting bracket allows for fine tuning the arm alignment
- Simple to specify and easy to install



## **NEW** Docking Drawer 21 + 24 SLIM

- Docking Drawer **21 + 24** SLIM outlet dimensions have been greatly reduced to fit into standard cabinet specifications.
- New quick install feature allows the Docking Drawer **21 + 24** SLIM outlets to be installed in less than 2 minutes and requires just 1 tool. Also allows for easy drawer removal.
- Simple electrical planning and connection— all Docking Drawer charging outlets now just plug into an existing outlet.
- Docking Drawer **21 + 24** SLIM outlets ship fully tested and assembled. Just take the outlet out of the box, install with a few screws and plug in the outlet to finish the installation.

### Simple to Specify

**1**

Confirm space behind drawer box

**2**

Confirm width behind drawer box

**3**

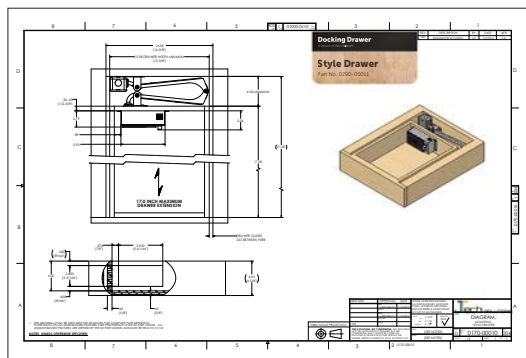
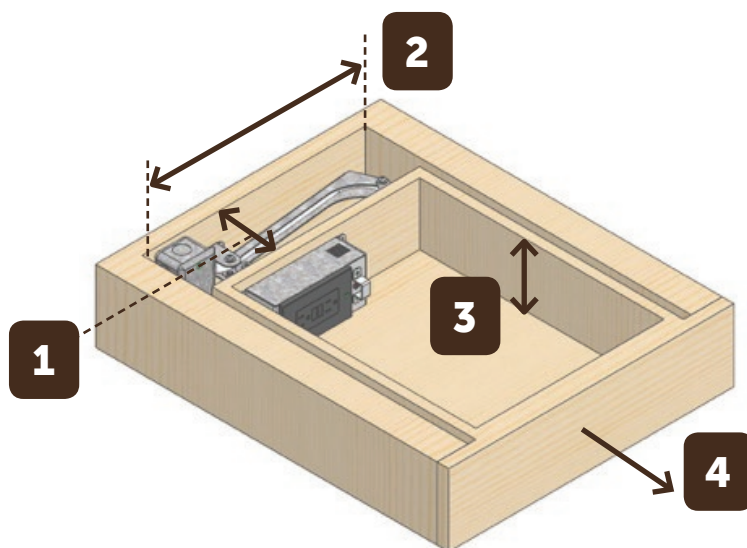
Confirm interior drawer box height

**4**

Confirm drawer extension

With just 4 key installation requirements, Docking Drawer solutions are simple to specify.

First, confirm the minimum space behind the drawer box. Second, confirm the minimum width behind the drawer box needed for the Docking Drawer outlet. Third, confirm the minimum interior drawer box height to accommodate the receptacle box. Lastly, confirm the maximum drawer extension to ensure the drawer opens completely. **Simple.**



### Specification Library

To help make specifying Docking Drawer outlets simple, please visit the Specification Library. There you can download mounting diagrams, DWG and STEP files, installation manuals, brochures and more.

Please visit [www.dockingdrawer.com](http://www.dockingdrawer.com) and click on the Specifications button on our home page.



	Docking Drawer 21 SLIM	Docking Drawer 24 SLIM	Docking Drawer Slim USB	Style Drawer	Mighty Drawer
<b>In-Drawer Outlet Details:</b>					
Part Number (*White)	0290-00030 0290-00030W*	0290-00031 0290-00031W*	0290-00012	0290-00011 0290-00011W*	0290-00013 0290-00013W*
Warranty	1 year	1 year	1 year	1 year	1 year
Electrical Connection	6' Cord w/ NEMA 5 - 15 plug	6' Cord w/ NEMA 5 - 15 plug	6' Cord w/ NEMA 5 - 15 plug	Hardwire	Hardwire
<b>Cabinet Specifications:</b>					
Minimum space behind drawer box	3"	3"	3"	4"	4"
Minimum width behind drawer box	≥ 16"	≥ 17 1/2"	≥ 14 5/8"	≥ 13 3/8"	≥ 14 7/8"
Minimum interior drawer box height	2 3/4"	2 3/4"	3"	4"	4"
Maximum drawer extension	18"	21"	21"	17"	20"
Cabinet Depth	21"	24"	24"	21"	24"
<b>Receptacle Specifications:</b>					
120V AC outlets	2	2	None	2	2
USB Ports	2	2	4	None	None
LED Indicator	No	No	No	Yes	Yes
GFCI	No	No	No	Yes	Yes
Max Current	AC: 3 amps @ 120 VAC USB: 3.6 amps @ 5 VDC	AC: 3 amps @ 120 VAC USB: 3.6 amps @ 5 VDC	4.2 amps @ 5 VDC	20 amps	20 amps
Tamper Resistant	Yes	Yes	N/A	Yes	Yes
Interlocking Safety Feature	Circuit Breaker	Circuit Breaker	N/A	Manual Reset Thermostat	Manual Reset Thermostat
ETL Listed to UL962a	Yes	Yes	Yes	Yes	Yes
ETL Listed to CSA-C22.2	Yes	Yes	Yes	Yes	Yes
<b>What's Included:</b>					
	Docking Drawer 21 Slim assembly, installation manual, receptacle	Docking Drawer 24 Slim assembly, installation manual, receptacle	Slim USB Drawer assembly, installation manual, receptacle	Style Drawer assembly, installation manual, receptacle	Mighty Drawer assembly, installation manual, receptacle
<b>Applications:</b>					
Charging or Powering Outlet	Charge low power personal technology devices	Charge low power personal technology devices	Charge up to 4 high power USB devices	Power any device up to 20A	Power any device up to 20A
Examples	Laptops, Tablets, Phones, Cameras, MP3 Players, etc.	Laptops, Tablets, Phones, Cameras, MP3 Players, etc.	Phones, Tablets, etc. without the use of an AC adapter	Blow Dryers, Curling Irons, Shavers, Small Kitchen Appliances, Power Tools and even Electric Cars	Blow Dryers, Curling Irons, Shavers, Small Kitchen Appliances, Power Tools and even Electric Cars

Specifications subject to change. Please visit [www.dockingdrawer.com](http://www.dockingdrawer.com) for the most current information.

[www.dockingdrawer.com](http://www.dockingdrawer.com)

12893 Alcosta Blvd., Suite M  
San Ramon, CA 94583  
p 530.205.3625  
f 925.886.3824  
e sales@dockingdrawer.com

