

Docking Drawer

Install Manual for DD 21 + 24 Slim



Applicable Models: 0290-00030, 0290-00030W,
0290-00031, 0290-00031W

0230-00004 . r5 | 10/21/2015



CAUTION — READ CAREFULLY

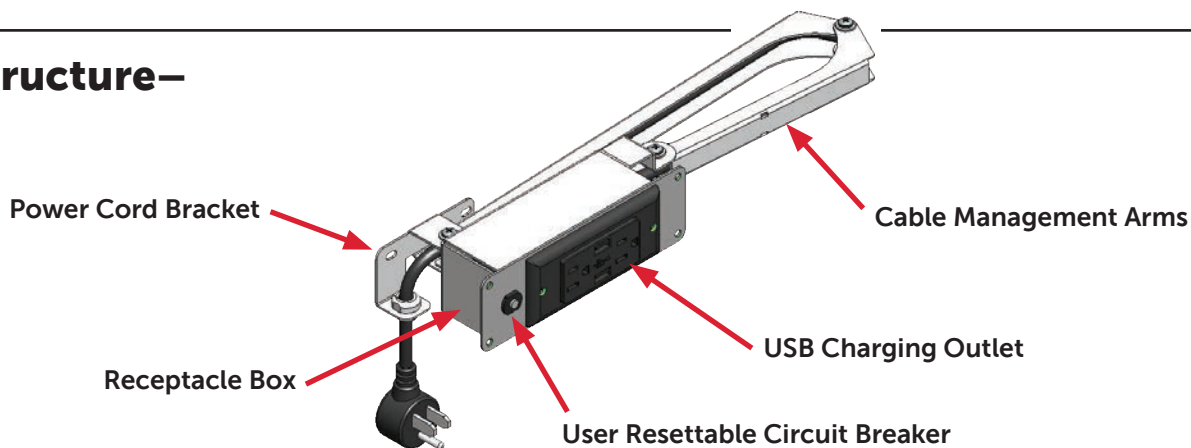
- **Failure to follow these instructions can cause death or permanent injury. Do not work on live electrical circuits! Make absolutely certain power is off before connecting the device!**
- There are instructions provided with the USB charging outlet – read those instructions in addition to these.
- This product is for dry, indoor and permanent installations only.
- Install the device in accordance with all national and local electrical codes.

General Information—

- The Docking Drawer has been listed by ETL and complies with UL 962a and CSA C22.2 **when installed in accordance with these instructions. Do not install this product in a manner contrary to these instructions.**
- The Docking Drawer is designed for charging personal electronics and other low power devices. It is limited to a maximum of 3A @ 120 VAC.
- Current installation diagrams, mounting diagrams and wiring instructions can be found in the Docking Drawer Specification Library.

Please visit www.dockingdrawer.com and click on the Specification button.

Structure—

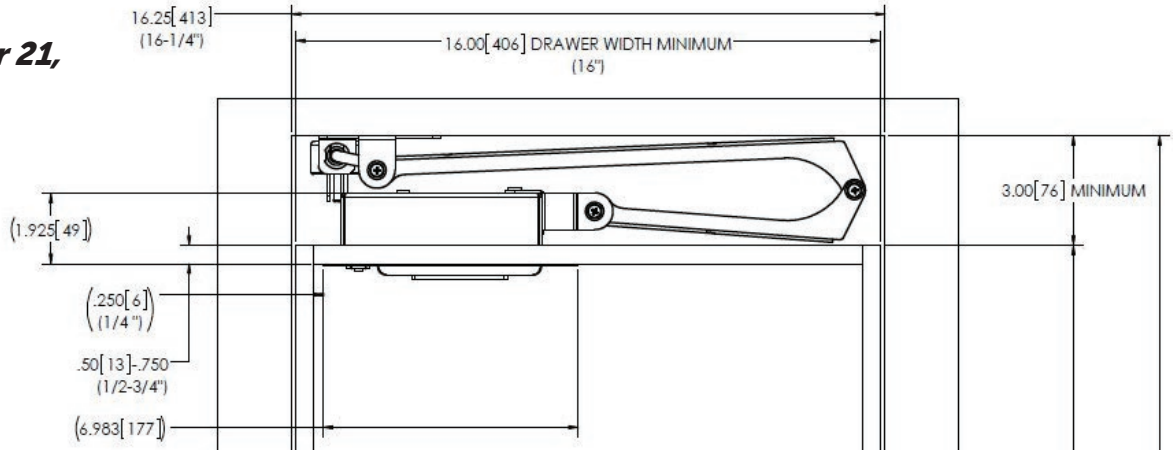


Preparing for a Docking Drawer Installation—

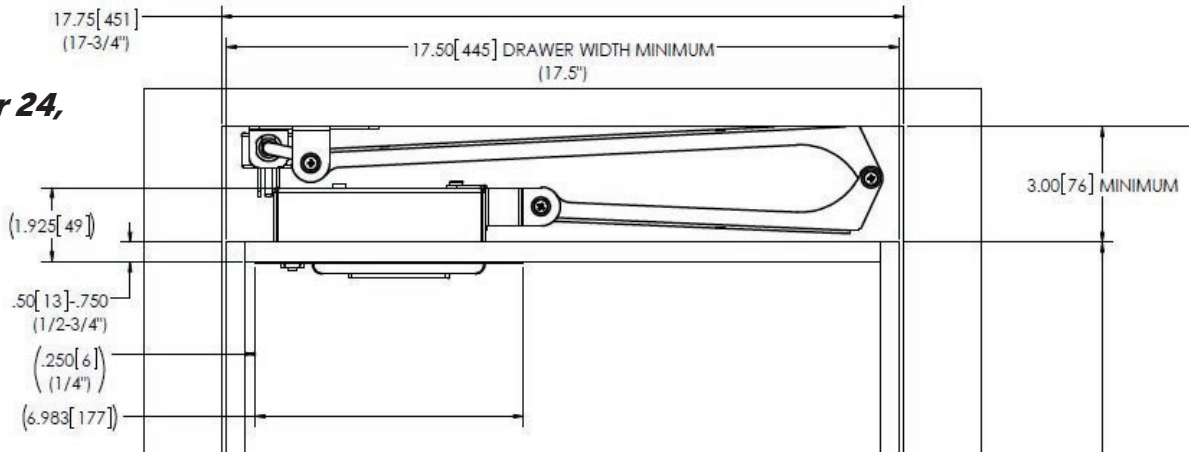
To prepare for a successful Docking Drawer installation please ensure that the cable management arms are free and unobstructed by confirming following the specifications:

- The distance from the back of the drawer to the wall where the power cord bracket mounts must be at least 3" as shown.
- The inside depth of the drawer must be at least 2 3/4"
- The drawer glides must be positioned in such way that the drawer extends no more than 18" for 0290-00030(W) and 21" for 0290-00031(W).
- The cutout for the receptacle box should be 6 1/32" wide X 2 15/16" high. Enlarging the cutout by 1/16" in each dimension is acceptable for ease of mounting. The installer must provide (4) mounting screws for the receptacle box and (2) for the power cord bracket.
- The receptacle box accepts drawer wall thicknesses of either 1/2" or 5/8".

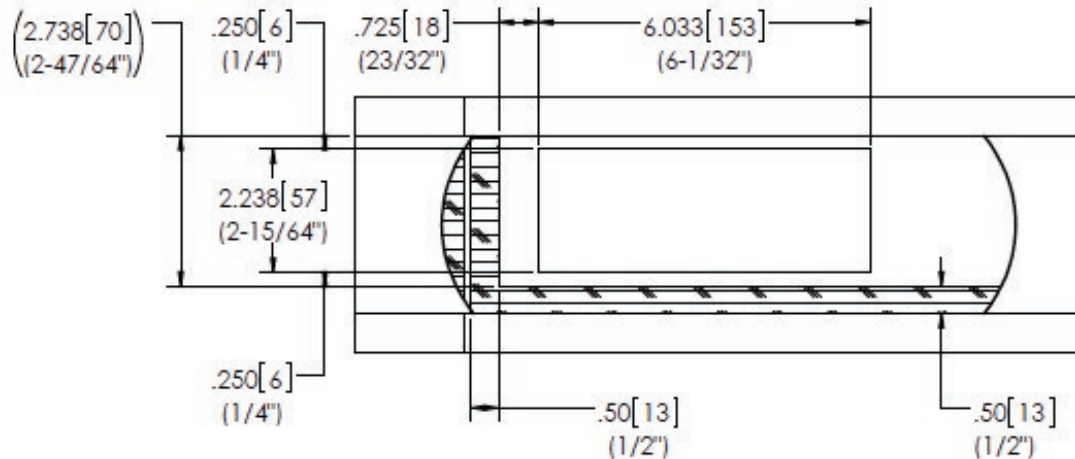
Top View of Docking Drawer 21, Mounted
0290-00030(W)



Top View of Docking Drawer 24, Mounted
0290-00031(W)



Side View of Docking Drawer, Mounted



Installing the Docking Drawer Outlet–

1. With the drawer closed and the receptacle box in position, mark the location of the rear mounting bracket so that the arms are centered.



2. Insert Docking Drawer through the receptacle box cut out in the back of the drawer.



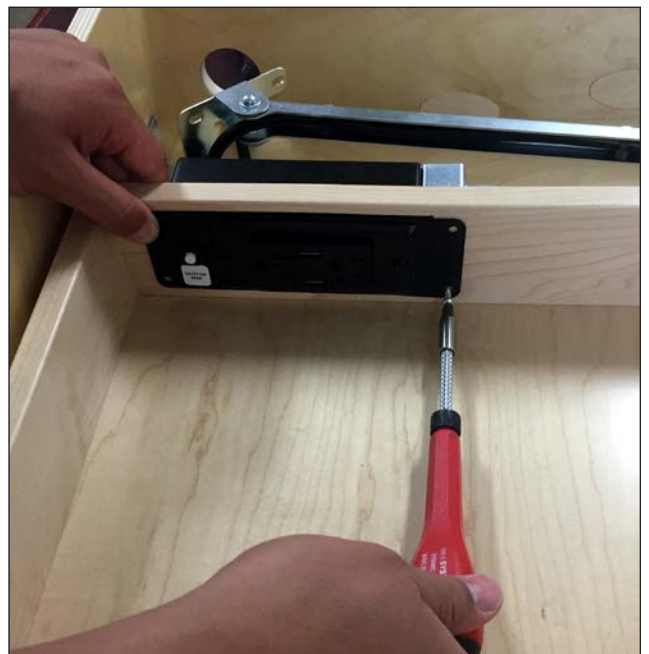
3. Extend the Docking Drawer outlet and insert the left rear mounting screw (not supplied).



4. Insert the right rear mounting screw (not supplied).



5. Mount the receptacle box.



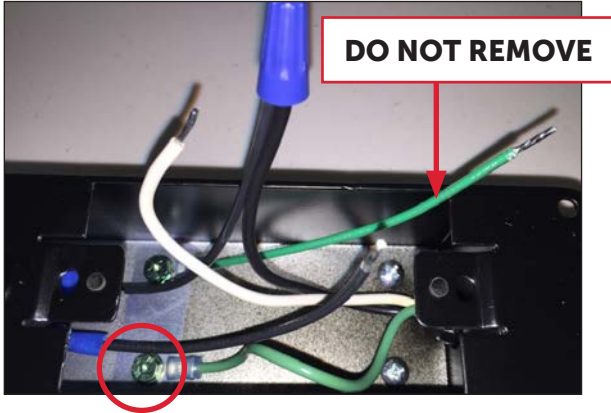
6. Test movement. Align cable management arms so they are centered between the drawer box and the back of the cabinet if necessary.

7. Plug in Docking Drawer outlet into an existing electrical outlet.

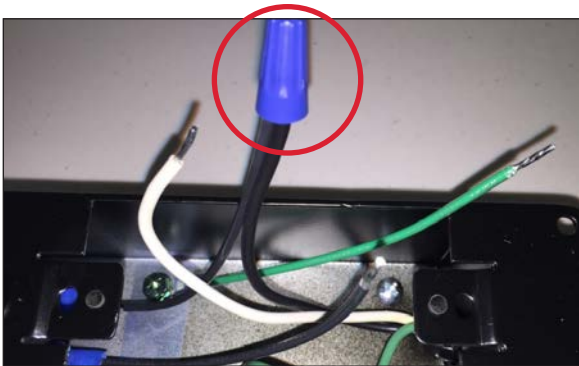
Removing the Receptacle Box—

For a successful Docking Drawer Slim charging outlet installation, it is **NOT** necessary to remove the receptacle box from the cable management arms. However, if the receptacle box needs to be removed, please follow these steps to disconnect/reconnect the receptacle box from the cable management arms.

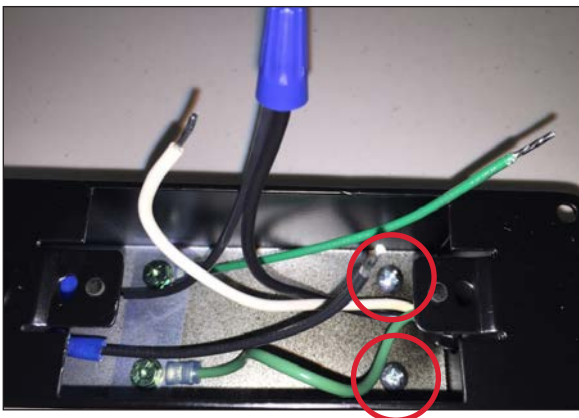
1. Remove the cable arm ground connection inside the receptacle box by removing the green ground screw and ring terminal as shown. **DO NOT** remove the ground wire that goes to the receptacle.



2. Remove the blue wire nut connecting the black wire from the cable chain to the black wire going to the circuit breaker.



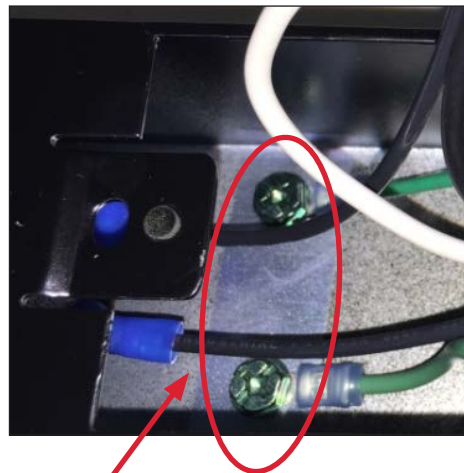
3. Use a Phillips head screwdriver to remove the (2) #10 screws from inside the receptacle box. This will allow the cable arm bracket to be disconnected from the receptacle box.



4. Mount the power cord bracket in the correct location on the back wall behind the drawer as shown in the drawing.
5. Install the drawer in the cabinet, and hold on to the end of the arm assembly.
6. Pass the wires from the cable management arms into the receptacle box and reattach the bracket using the screwdriver and (2) #10 screws.
7. Secure the receptacle box to the back of the drawer using the installer supplied hardware.
8. Reconnect the black wire from the circuit breaker to the black wire from the cable management arm using the blue wire nut.



9. **DO NOT FORGET TO REATTACH THE GROUND WIRE INSIDE THE RECEPTACLE BOX. TORQUE SCREW TO 16-18 IN-LBS. ENSURE THAT THE CIRCUIT BREAKER IS WIRED IN SERIES WITH THE LINE (BLACK) WIRE. SEE WIRE DIAGRAM.**



**MAKE SURE BOTH GROUND SCREWS ARE SECURELY CONNECTED!
TORQUE TO 16-18 IN-LBS**

Reinstalling the Outlet—



Install the AC/USB charging outlet in the receptacle box before plugging in the Docking Drawer.

- After the receptacle box has been correctly installed in the back of the drawer and (if applicable) all wires correctly reattached, the AC/USB charging outlet can be installed.

REMINDER: IF THE CABLE ARM GROUND WIRE WAS REMOVED DURING INSTALLATION, MAKE SURE IT HAS BEEN REATTACHED AND TORQUED PROPERLY. MAKE SURE THE CIRCUIT BREAKER IS WIRED IN SERIES WITH THE LINE (BLACK) WIRE AS SHOWN IN THE WIRING DIAGRAM.

- Follow the AC/USB charging outlet instructions (included in outlet packaging) and connect the black, white, and green wires in accordance with those instructions.



Green Wire (ground):
green screw



White Wire (neutral):
silver screw



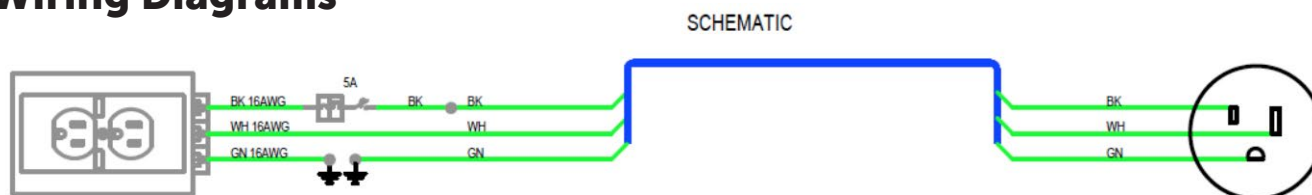
Black Wire (line):
brass screw

Specifications—

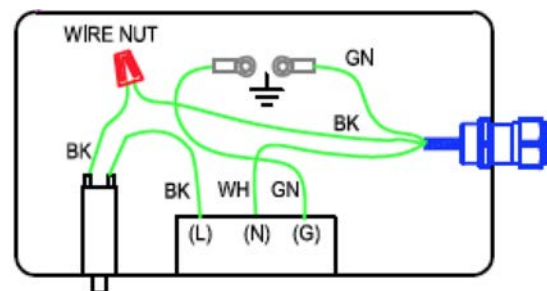
Docking Drawer™ Technical Specifications:

- AC Power: 125V, tamper resistant NEMA 5-15R duplex receptacle.
- DC (USB) Power: 5.2V, 12.5W duplex USB charging receptacle with integrated on/off safety switch.
- Max rated current @ 125 VAC: 3A. Circuit is protected by 5A pop out breaker accessible from the user side. Designed for charging personal electronic devices only.

Wiring Diagrams—



Receptacle Box Wiring



Operation—

- Instructions specific to the USB charging outlet are included with the outlet itself.
- The Docking Drawer includes a 5A resettable circuit breaker. Breaker trip is indicated by the white button protruding approximately 3/8" out from the housing. To reset, correct the source of over current and push the white button back in.



	Docking Drawer 21 SLIM	Docking Drawer 24 SLIM	Docking Drawer Slim USB	Style Drawer	Mighty Drawer
In-Drawer Outlet Details:					
Part Number (*White)	0290-00030 0290-00030W*	0290-00031 0290-00031W*	0290-00012	0290-00011 0290-00011W*	0290-00013 0290-00013W*
Warranty	1 year	1 year	1 year	1 year	1 year
Electrical Connection	6' Cord w/ NEMA 5 - 15 plug	6' Cord w/ NEMA 5 - 15 plug	6' Cord w/ NEMA 5 - 15 plug	Hardwire	Hardwire
Cabinet Specifications:					
Minimum space behind drawer box	3"	3"	3"	4"	4"
Minimum width behind drawer box	≥ 16"	≥ 17 1/2"	≥ 14 5/8"	≥ 13 3/8"	≥ 14 7/8"
Minimum drawer box height	2 3/4"	2 3/4"	3"	4"	4"
Maximum drawer extension	18"	21"	21"	17"	20"
Cabinet Depth	21"	24"	24"	21"	24"
Receptacle Specifications:					
120V AC outlets	2	2	None	2	2
USB Ports	2	2	4	None	None
LED Indicator	No	No	No	Yes	Yes
GFCI	No	No	No	Yes	Yes
Max Current	AC: 3 amps @ 120 VAC USB: 3.6 amps @ 5 VDC	AC: 3 amps @ 120 VAC USB: 3.6 amps @ 5 VDC	4.2 amps @ 5 VDC	20 amps	20 amps
Tamper Resistant	Yes	Yes	N/A	Yes	Yes
Interlocking Safety Feature	Circuit Breaker	Circuit Breaker	N/A	Manual Reset Thermostat	Manual Reset Thermostat
ETL Listed to UL962a	Yes	Yes	Yes	Yes	Yes
ETL Listed to CSA-C22.2	Yes	Yes	Yes	Yes	Yes
What's Included:					
	Docking Drawer 21 Slim assembly, installation manual, receptacle	Docking Drawer 24 Slim assembly, installation manual, receptacle	Slim USB Drawer assembly, installation manual, receptacle	Style Drawer assembly, installation manual, receptacle	Mighty Drawer assembly, installation manual, receptacle
Applications:					
Charging or Powering Outlet	Charge low power personal technology devices	Charge low power personal technology devices	Charge up to 4 high power USB devices	Power any device up to 20A	Power any device up to 20A
Examples	Laptops, Tablets, Phones, Cameras, MP3 Players, etc.	Laptops, Tablets, Phones, Cameras, MP3 Players, etc.	Phones, Tablets, etc. without the use of an AC adapter	Blow Dryers, Curling Irons, Shavers, Small Kitchen Appliances, Power Tools and even Electric Cars	Blow Dryers, Curling Irons, Shavers, Small Kitchen Appliances, Power Tools and even Electric Cars

Specifications subject to change. Please visit www.dockingdrawer.com for the most current information.

www.dockingdrawer.com

12893 Alcosta Blvd., Suite M, San Ramon, CA 94583

p 530.205.3625 | f 925.886.3824 | e sales@dockingdrawer.com



510950