

**STYLE/MIGHTY DRAWER INSTALL MANUAL, 0230-00002
V3.0, 7/1/15**



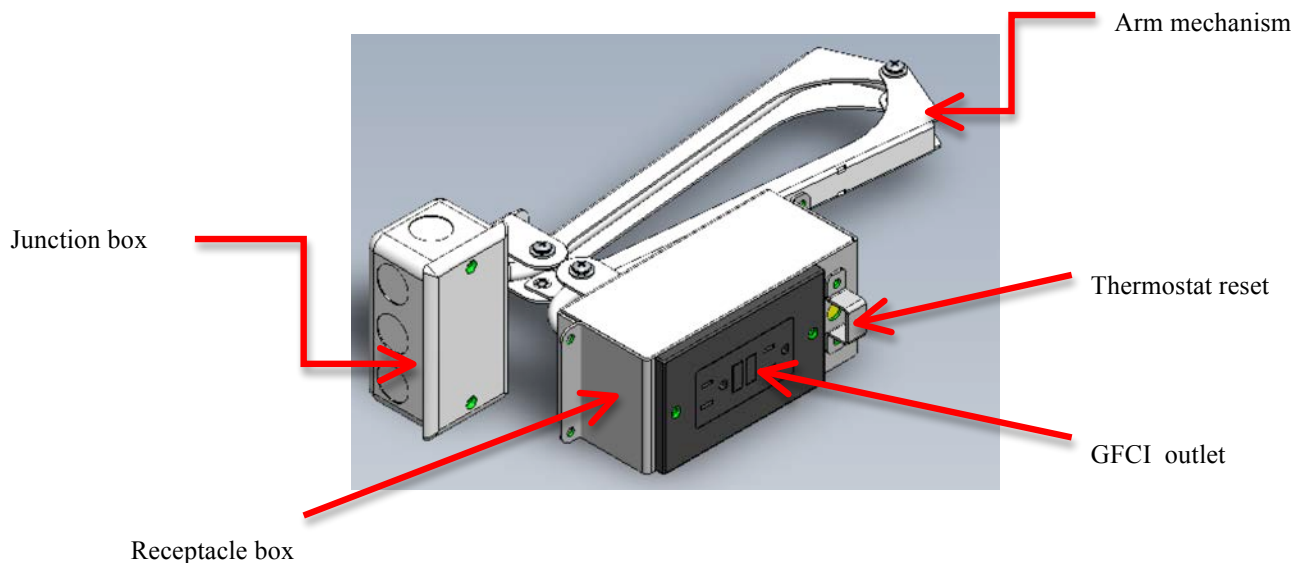
CAUTION – READ CAREFULLY

- **Failure to follow these instructions can cause death or permanent injury. Do not work on live electrical circuits! Make absolutely certain power is off before connecting the device!**
- There are instructions provided with the electrical outlet – read those instructions in addition to these.
- This product is for dry, indoor and permanent installations only.
- Install the device in accordance with all national and local electrical codes.

General Information

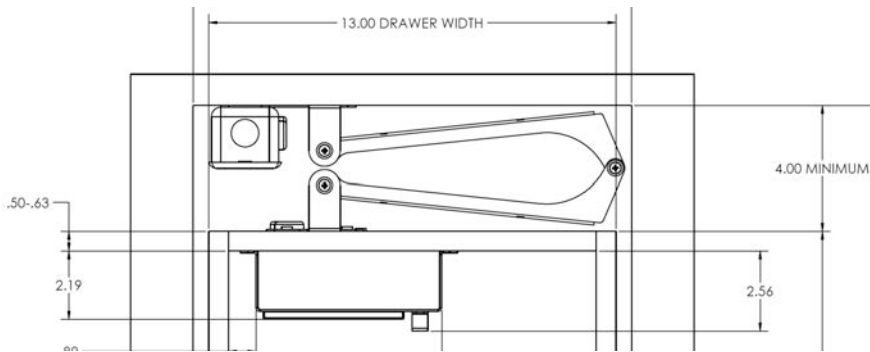
- The Style/Mighty Drawer has been listed by ETL and complies with UL 962a and CSA C22.2#21 **when installed in accordance with these instructions. Do not install this product in a manner contrary to these instructions.**
- It is the installer’s responsibility to make sure that power supplied to the junction box conforms to all applicable building codes and standards.
- The Style/Mighty Drawer Products must be connected to a 20A circuit using 12 AWG wire.

Structure



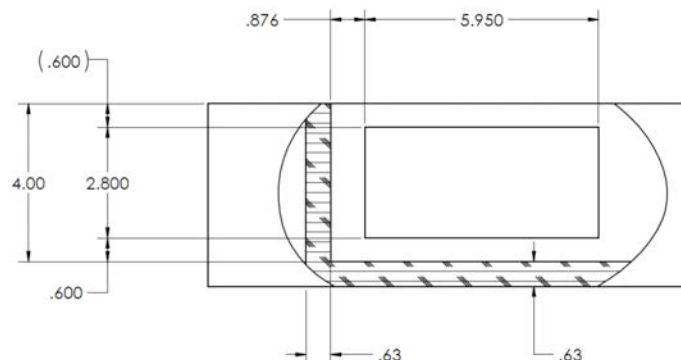
Mounting

Top View of Style/Mounting Drawer, Mounted



- The outside dimensions of the drawer must be at least 13" wide as shown for the Style Drawer and 14.75" for the Mighty Drawer.
- The distance from the back of the drawer to the wall where the junction box mounts must be at least 4" as shown.
- Line up the junction box and receptacle box as shown.
- **Ensure that the arm mechanism is free and unobstructed.**

Side View of Style/Mighty Drawer, Mounted

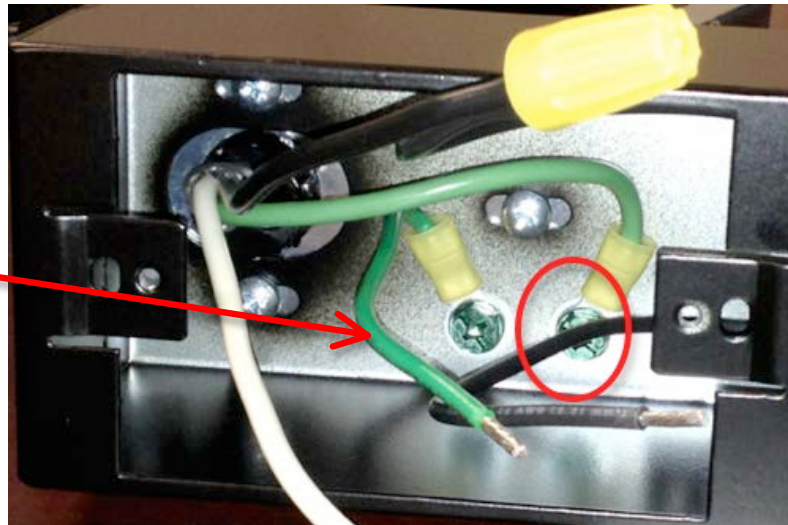


- The inside depth of the drawer must be at least 4"
- The cutout for the receptacle box should be 5.95" wide x 2.8" high. Enlarging the cutout by 1/16" in each dimension is acceptable for ease of mounting. The installer must provide (4) mounting screws for the receptacle box.
- The receptacle box accepts drawer wall thicknesses of either 1/2" or 5/8".
- The drawer glides must be positioned in such as way that the drawer extends no more than 17" for the Style Drawer and 20" for the Mighty Drawer. Further extension will place a load on the arm mechanism.

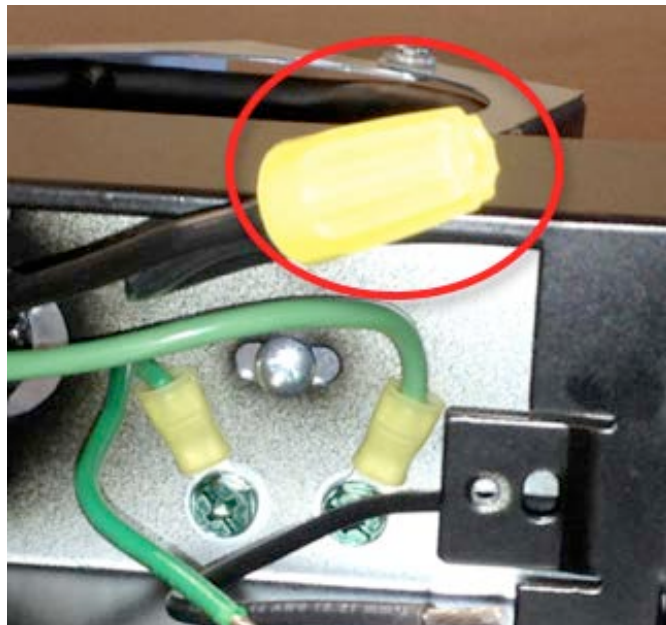
Mounting the Receptacle Box

- Depending on the structure of the cabinet, it may be necessary to mount the junction box and arm mechanism behind the drawer first, and then install the receptacle box and GFCI outlet from inside the drawer. The design allows for this. **If required, follow these steps:**
 1. Remove the arm mechanism ground connection inside the receptacle box by removing the green ground screw and ring terminal as shown.

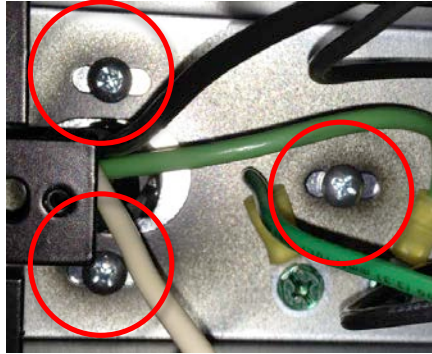
Do not remove
this wire



2. Remove the yellow wire nut connecting the black wire from the arm mechanism to the black wire going to the thermostat.



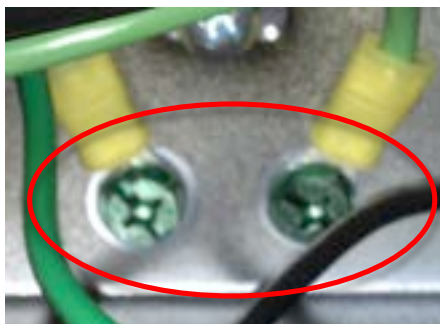
3. Remove the (3) #10 Phillips head screws from inside the receptacle box. This will allow the arm mechanism bracket to be disconnected from the receptacle box.



4. Mount the junction box in the correct location on the back wall behind the drawer as shown in the drawing.
5. Install the drawer in the cabinet, and hold on to the end of the arm mechanism.
6. Pass the wires from the arm mechanism into the receptacle box and reattach the bracket using the (3) #10 Philips head screws.
7. Secure the receptacle box to the back of the drawer using the installer supplied hardware.
8. Reconnect the black wire from the thermostat to the black wire from the arm mechanism using the wire nut. Make sure the thermostat is connected in series with the line (black) wire.



DO NOT FORGET TO REATTACH THE GROUND WIRE INSIDE THE RECEPTACLE BOX. TORQUE SCREW TO 28-32 IN-LBS. ENSURE THAT THE THERMOSTAT IS WIRED IN SERIES WITH THE LINE (BLACK) WIRE. SEE WIRE DIAGRAM.



**MAKE SURE BOTH
GROUND SCREWS
ARE SECURELY
CONNECTED! TORQUE
TO 28-32 IN-LBS**

Wiring



Install the GFCI outlet in the receptacle box before connecting the junction box to electrical power.

- After the receptacle box has been correctly installed in the back of the drawer and (if applicable) all wires correctly reattached, the GFCI outlet can be installed.



REMINDER: IF THE ARM MECHANISM TO RECEPTACLE BOX GROUND WIRE WAS REMOVED DURING INSTALLATION, MAKE SURE IT HAS BEEN REATTACHED AND TORQUED PROPERLY. MAKE SURE THE THERMOSTAT IS WIRED IN SERIES WITH THE LINE (BLACK) WIRE. SEE WIRING DIAGRAM.

- Follow the GFCI outlet instructions (included in outlet packaging) and connect the black, white, and green wires in accordance with those instructions.



Green Wire (ground): green screw

White wire (neutral): silver screw

Black Wire (line): gold screw

Junction box wiring



JUNCTION BOX WIRING MUST BE DONE BY A QUALIFIED, LICENSED ELECTRICIAN

- Bring power to the junction box using either MC or NMSC in accordance with building and electrical codes. Since the device is capable of 20A service, it is necessary to use 12 AWG supply wiring and connect the device to a 20A circuit.
- Replace the junction box cover. The device is now ready for power up.

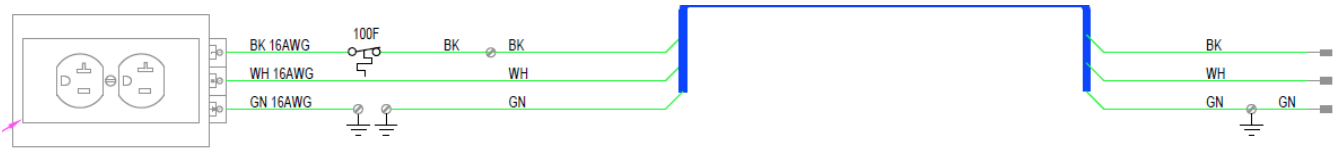
Specifications

AC Power: 20A 125V, tamper resistant, GFCI with LED indicator

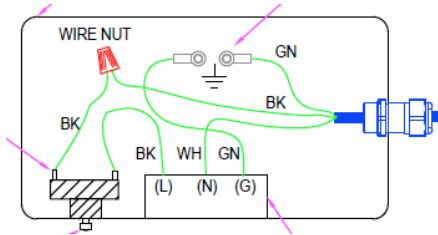
Max rated current @ 125 VAC: 20A.
Circuit is protected by a manually resettable thermostat accessible from the user side.

Thermostat trip range: 100 – 120F

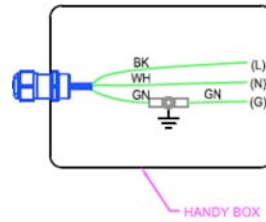
Wiring Diagrams



Receptacle box wiring

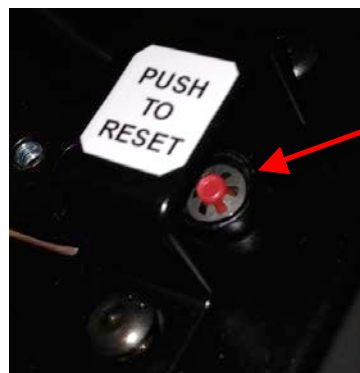


Junction box wiring



Operation

- Instructions specific to the GFCI outlet are included with the outlet itself.
- The Docking Drawer includes a 100 - 120 degree F resettable thermostat to protect against overheating inside the drawer. To reset, correct the source of over temperature and push the red thermostat button. Note you may need to wait a few minutes for the unit to cool before the thermostat can be reset.
- The GFCI outlet has a green LED which will light if there is power to the outlet. If the LED is not lit, check the GFCI reset button and the thermostat.



Reset button